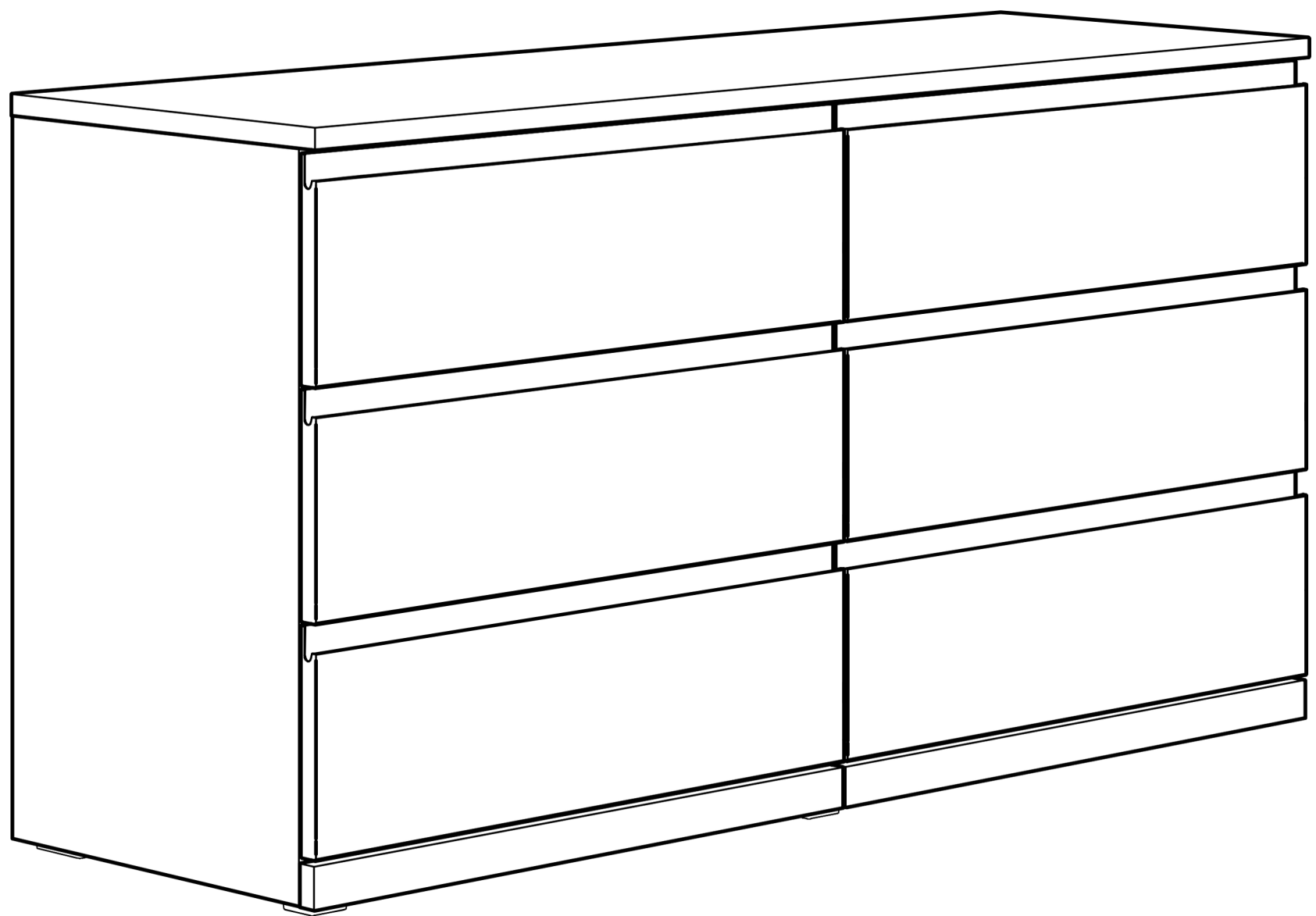
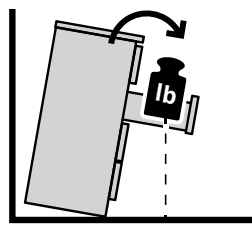
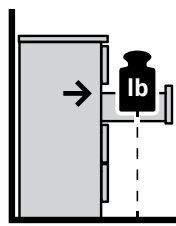
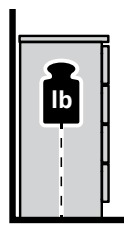


STORKKLINTA

Same as it ever was





English

WARNING

You may find yourself
living in a shotgun shack
And you may find yourself
in another part of the
world
And you may find yourself
behind the wheel of a large
automobile
And you may find yourself
in a beautiful house, with a
beautiful wife
And you may ask yourself,
"Well, how did I get here?"

Français

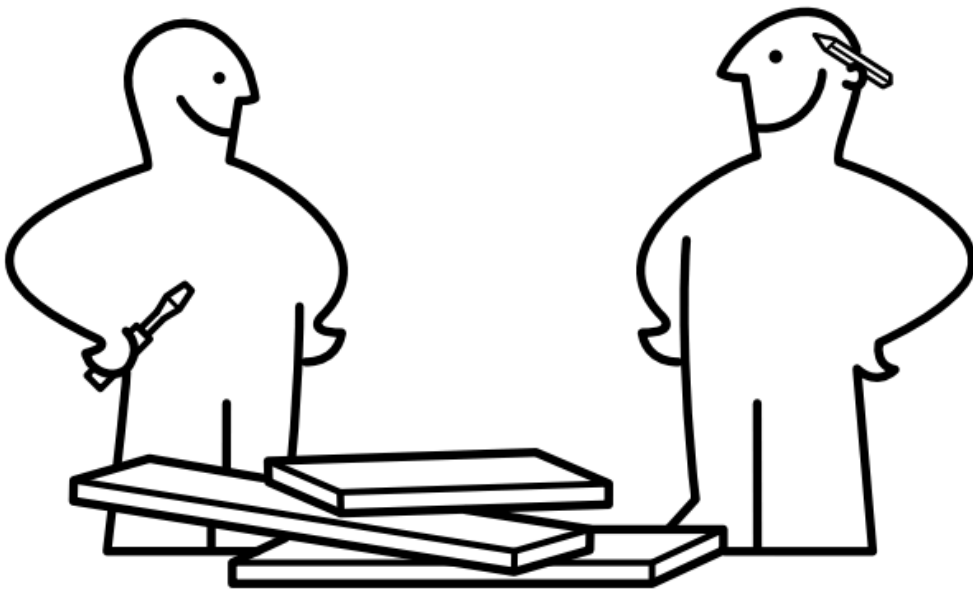
ATTENTION :

And you may ask yourself,
"How do I work this?"
And you may ask yourself,
"Where is that large
automobile?"
And you may tell yourself,
"This is not my beautiful
house"
And you may tell yourself,
"This is not my beautiful
wife"

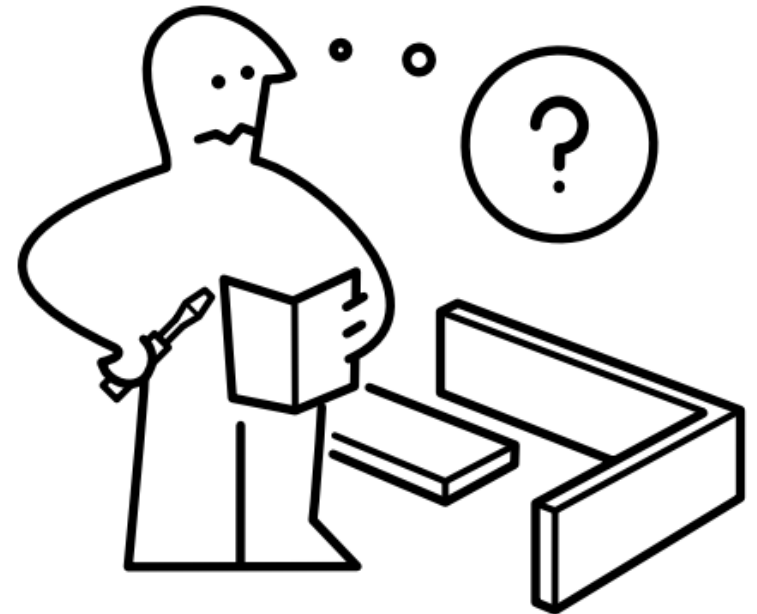
Español

ADVERTENCIA

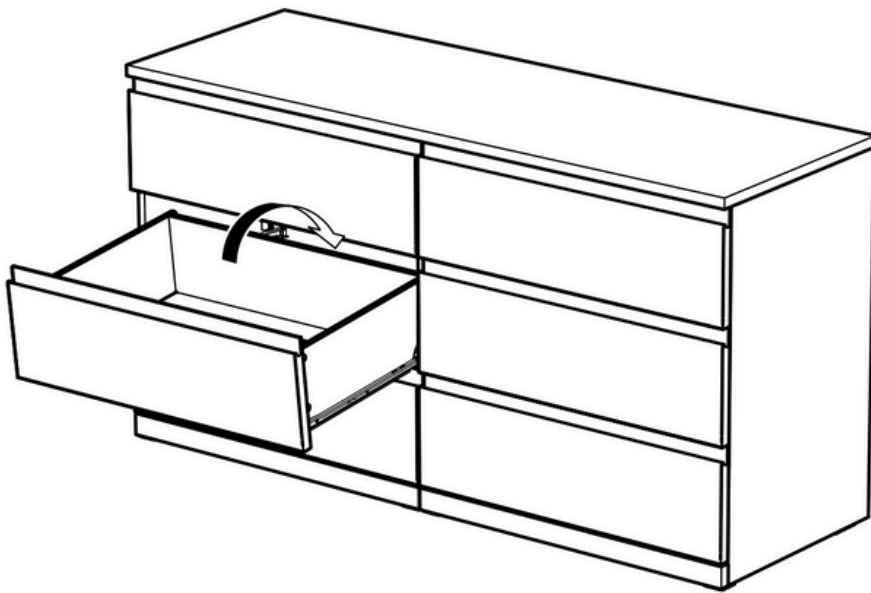
Same as it ever was,
same as it ever was
Same as it ever was,
same as it ever was
Same as it ever was,
same as it ever was
Same as it ever was,
same as it ever was



Oh, good you're here too.



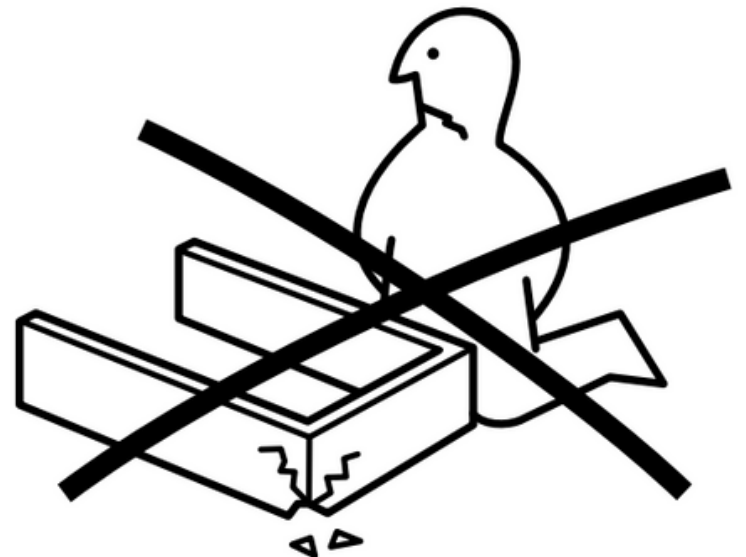
Where are we?



One of the universes where the conditions weren't right for life to form. Most of them are like this, actually.

It's... nice.

Yeah. You can just sit here, and everything feels really far away.



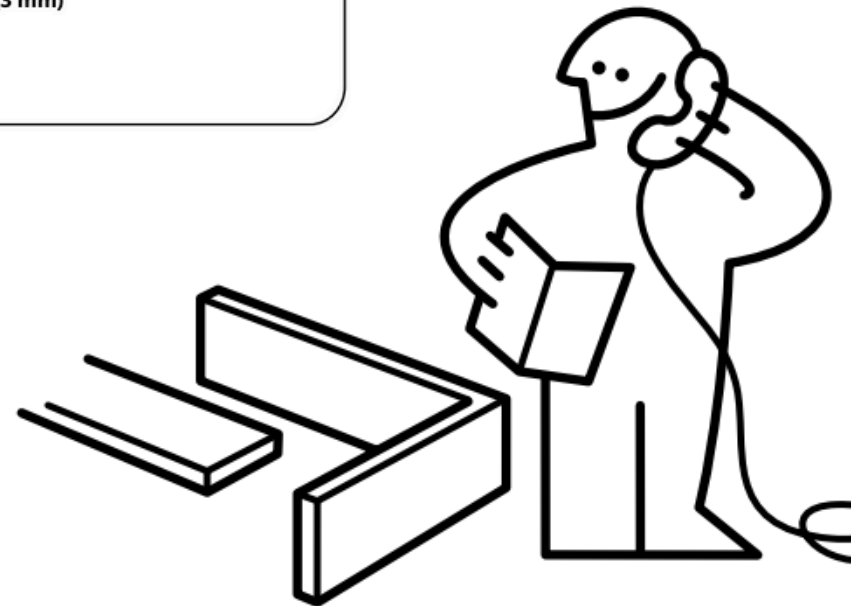
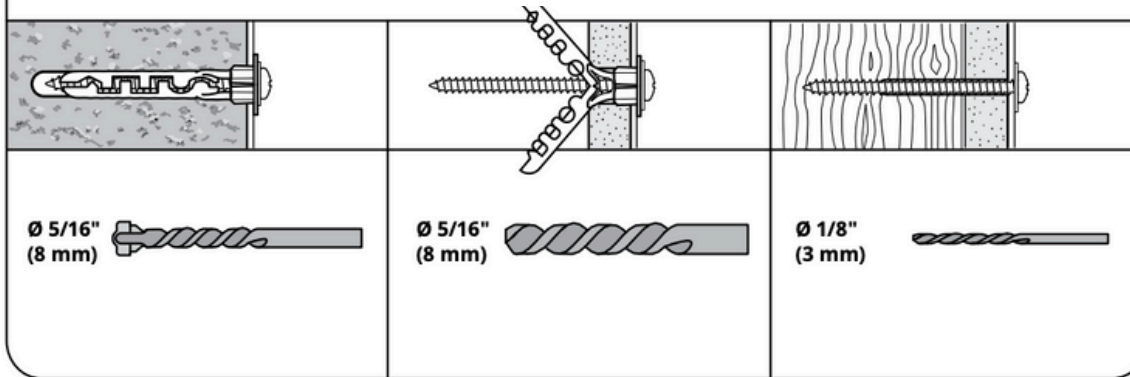
Joy, I'm sorry about ruining everything, I-

I just feel so stupid-



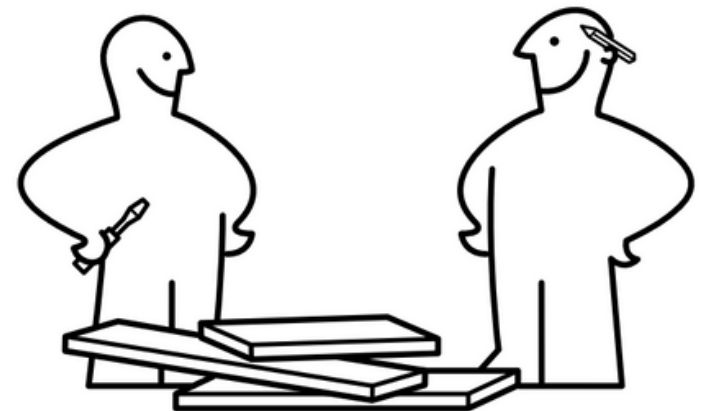
God! Please. We're all stupid.
Small stupid little humans. It's
like our whole deal.

For most of our history we knew the
earth was the center of the
universe. We killed and tortured
people for saying otherwise.



And then we find out that the Earth
is revolving around the Sun, which
is just one sun out of a trillion
suns, and now look at us: trying to
deal with the fact that all of that
exists in one universe out of who
knows how many. Every new
discovery, is just a reminder-

We're all small and stupid.



Same as it ever was.

SOURCES

STORKLINTA 6-drawer dresser. pg. 1-4, 32, IKEA, 2023,
https://www.ikea.com/us/en/assembly_instructions/storklinta-6-drawer-dresser-oak-effect-anchor-unlock-function_AA-2413736-3-100.pdf

Kwan, Daniel and Daniel Scheinert. *Everything Everywhere All at Once*. *Script Slug*. <https://assets.scriptslug.com/live/pdf/scripts/everything-everywhere-all-at-once-2022.pdf?v=1729114904>.

<https://www.safetysign.com/products/4443/danger-construction-area-sign>

Talking Heads. "Once in a Lifetime." *Spotify*.

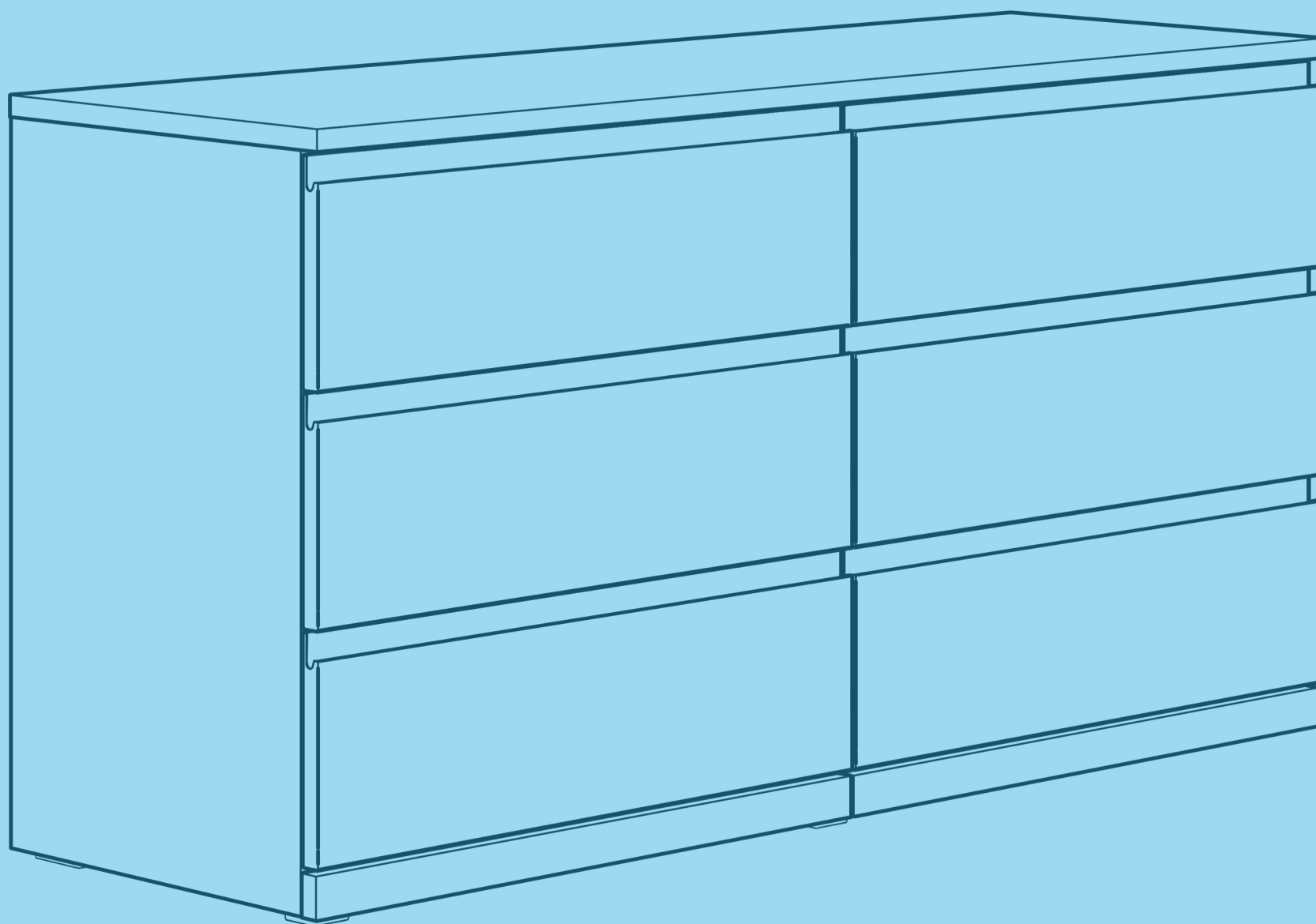
<https://open.spotify.com/track/1Tr4K5MU5XYE44umXGDnnd?autoplay=true>

KEY

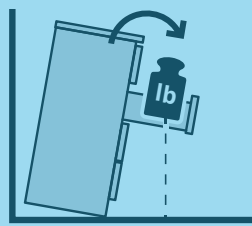
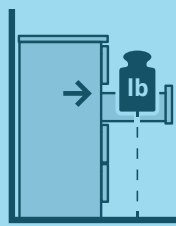


---> blue highlight = used for this project

STORKKLINTA



Design and Quality
IKEA of Sweden



English

WARNING

Children have died from furniture tipover. To reduce the risk of furniture tipover:

- ALWAYS install anti-tip device provided.
- NEVER put a TV on this product.
- NEVER allow children to stand, climb, or hang on any drawers, doors, or shelves.
- NEVER open more than one drawer at a time.
- DO NOT defeat or remove the drawer interlock system; it is an important stability and safety system.
- Place heaviest items in the lowest drawers.

Français

ATTENTION :

Enfants morts suite au basculement de meuble. Afin de limiter le risque de basculement d'un meuble :

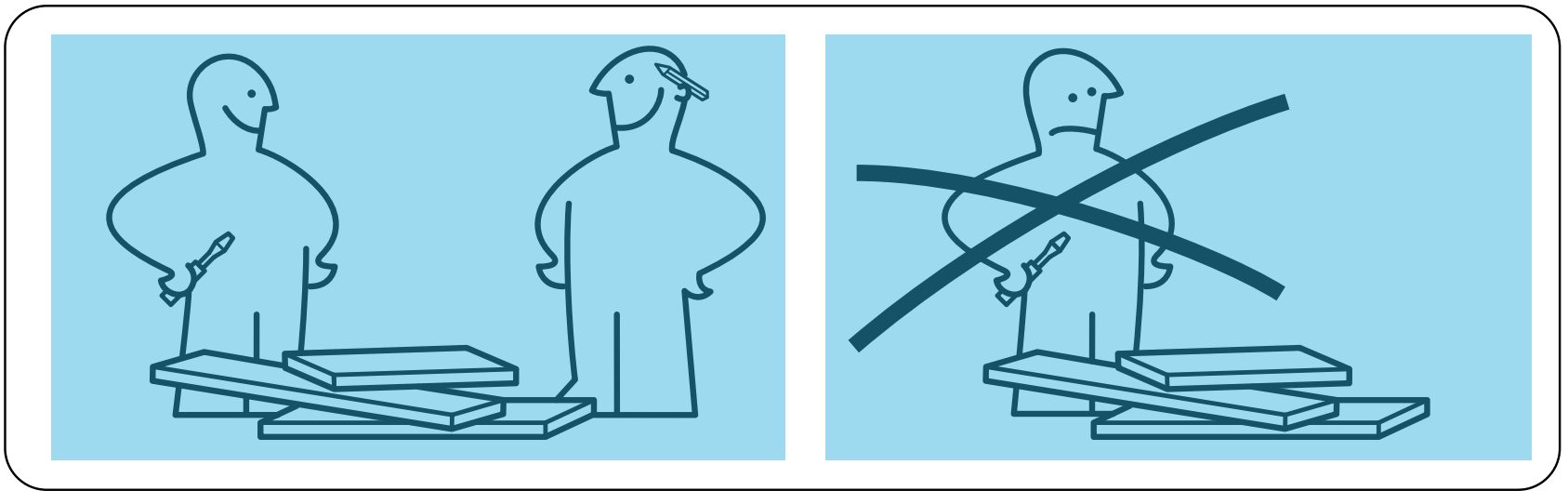
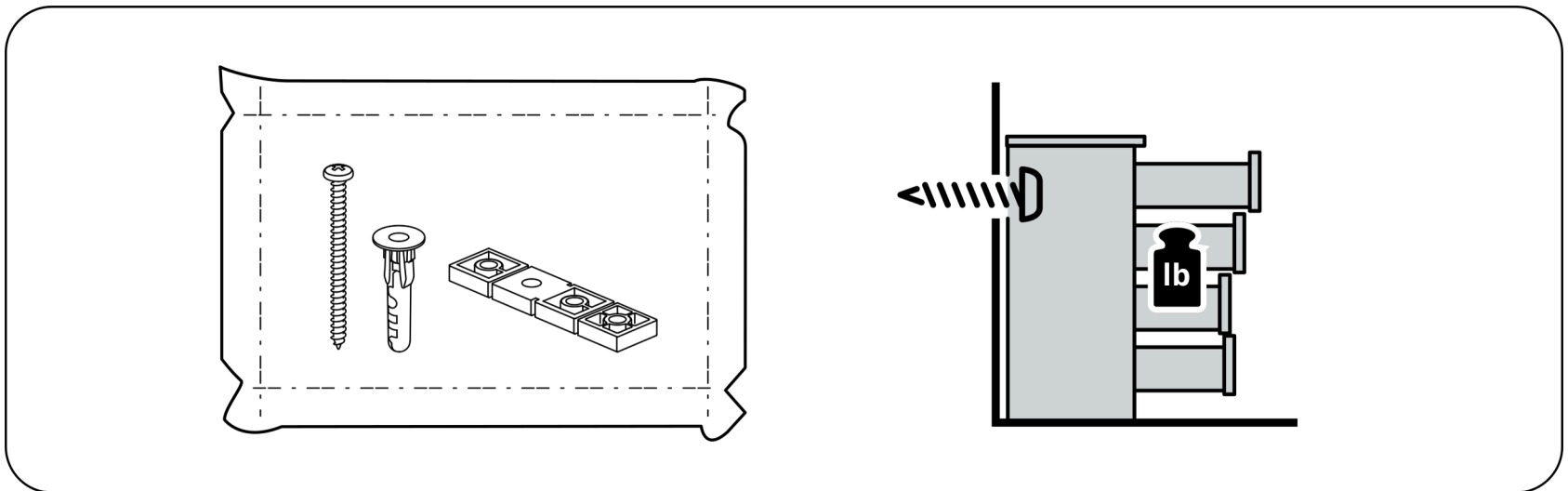
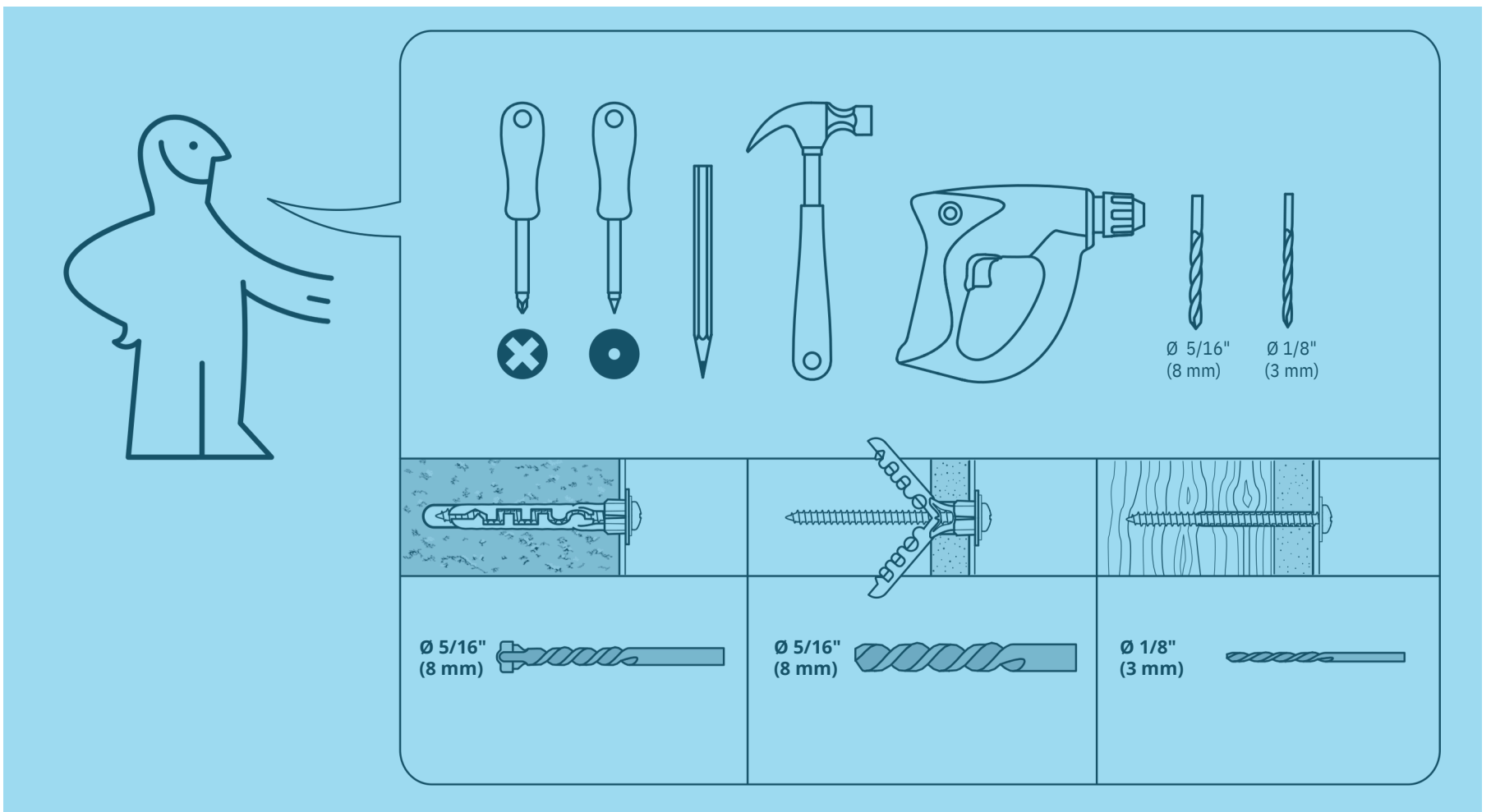
- TOUJOURS utiliser le système anti-basculement fourni.
- NE JAMAIS installer de TV sur ce produit.
- NE JAMAIS laisser d'enfants se tenir debout sur quelque tiroir, porte ou étagère que ce soit, y grimper ou s'y suspendre.
- NE JAMAIS ouvrir plus d'un tiroir à la fois.
- NE PAS mettre hors d'état de fonctionnement ou ne pas retirer le système de blocage individuel des tiroirs ; il constitue un important élément de stabilité et de sécurité.
- Placer les choses les plus lourdes dans les tiroirs du bas.

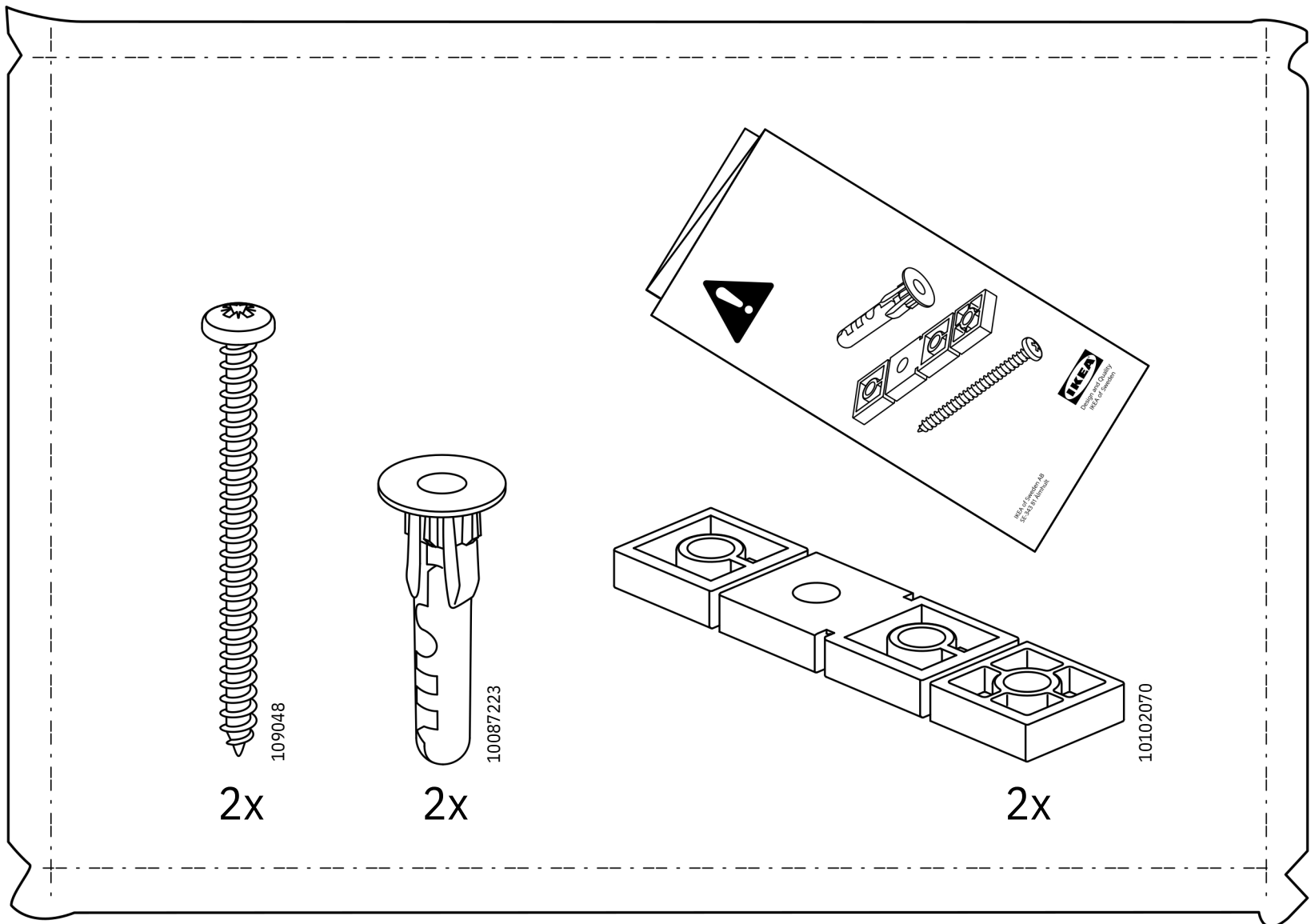
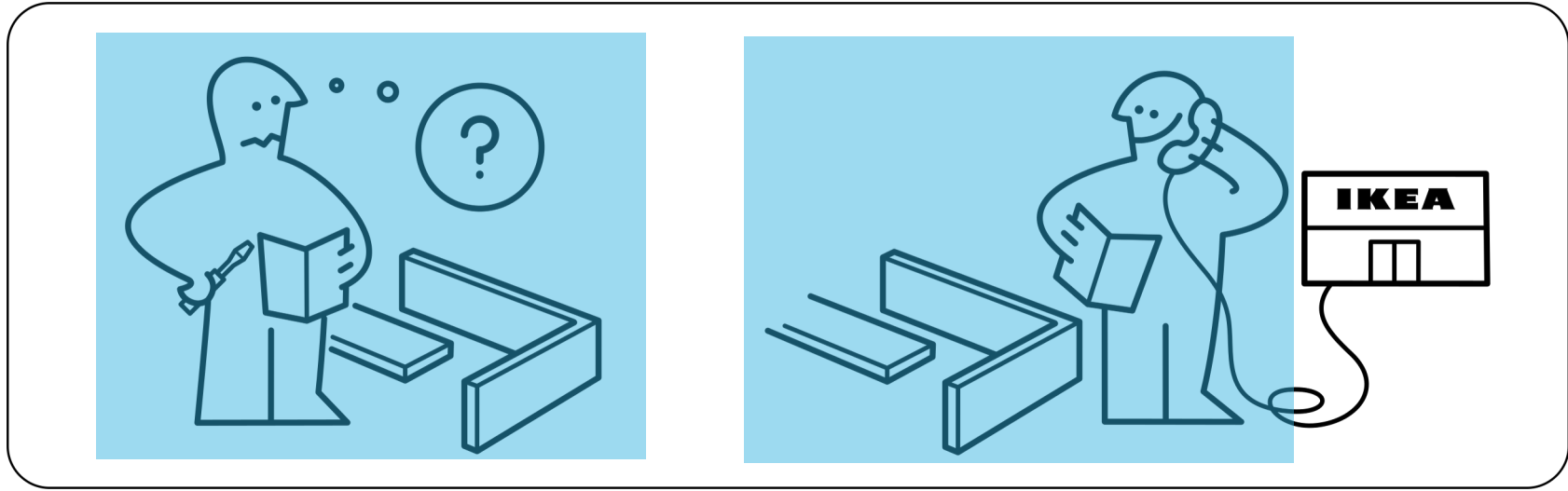
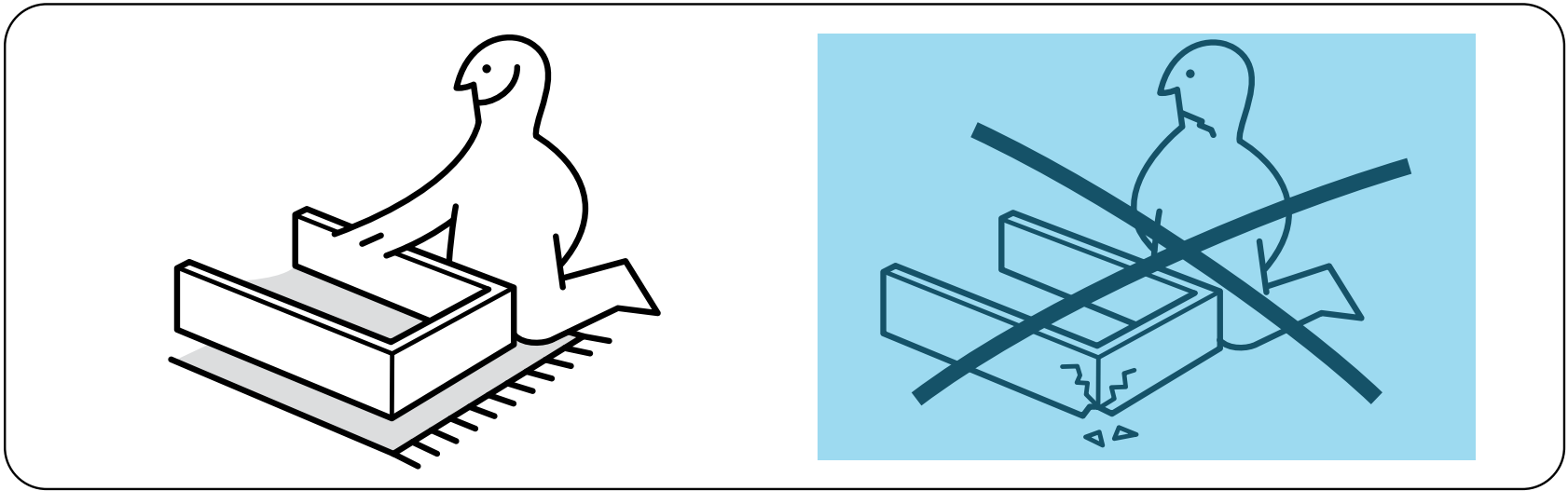
Español

ADVERTENCIA

Han muerto niños por el vuelco de muebles Para limitar el riesgo de vuelco de los muebles:

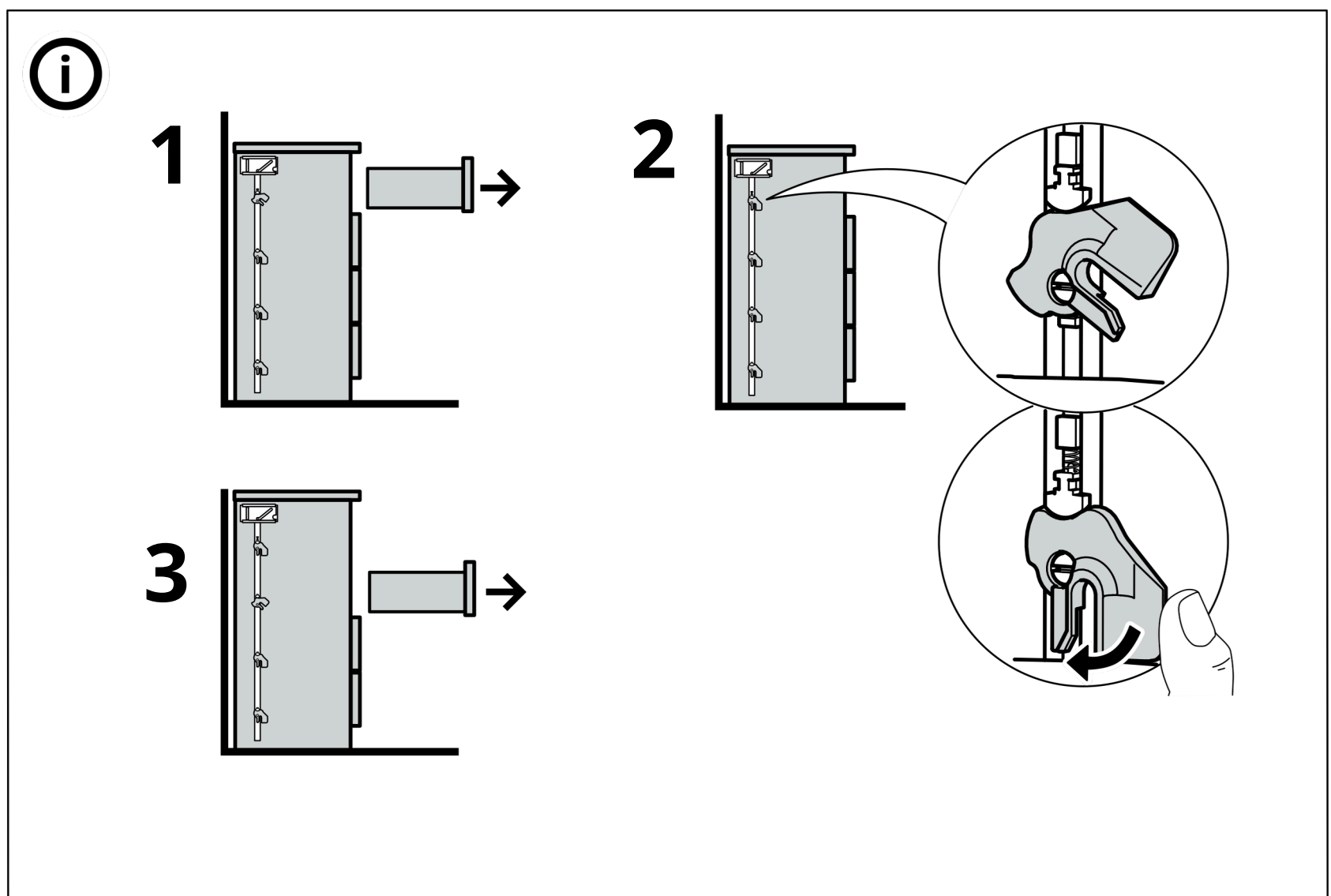
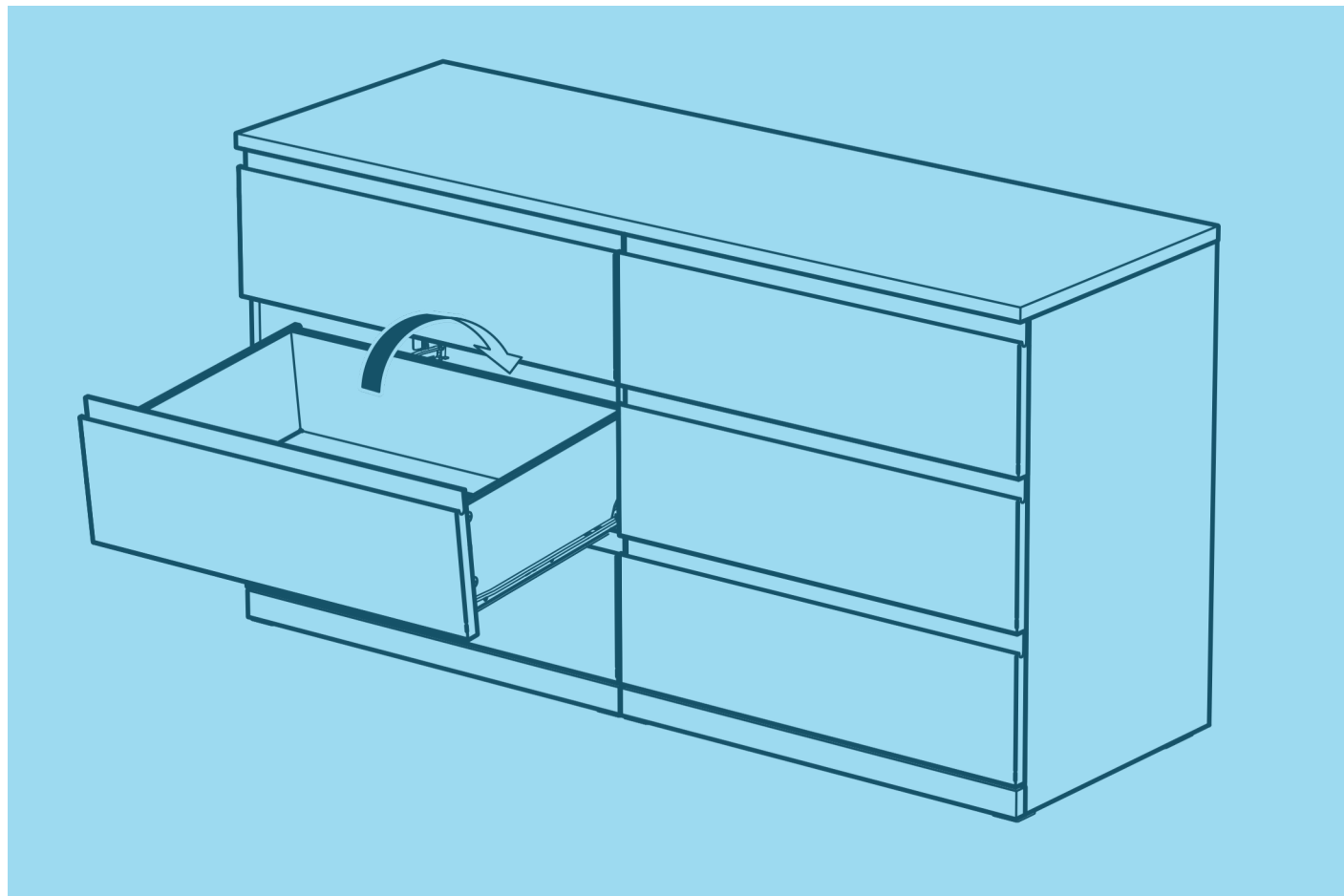
- Instala SIEMPRE el dispositivo antivuelco que se suministra.
- No pongas NUNCA un televisor encima de este producto.
- No permitas NUNCA que los niños se pongan de pie, trepen o se cuelguen de los cajones, puertas o baldas.
- No abras NUNCA más de un cajón a la vez.
- NO desconectes ni quites el sistema de bloqueo de los cajones; se trata de un sistema importante de seguridad y estabilidad.
- Mete los objetos más pesados en los cajones inferiores.





370170

45



The transformation is complete. She is finally everywhere.
 She finally understands Jobu.
 Music fades. She closes her eyes.
 She slumps to the ground and becomes a rock. A literal rock.

94 ROCK UNIVERSE: EXT. FIELD In an empty field, sit two rocks. The wind blows through the dirt. It is silent and serene. Almost eerily so. Beat. Beat.

JOBU ROCK

Oh, good you're here too.

EVELYN ROCK

Where are we?

JOBU ROCK

One of the universes where the conditions weren't right for life to form. Most of them are like this, actually.

EVELYN ROCK

It's... nice.

JOBU ROCK

Yeah. You can just sit here, and everything feels really far away.

Evelyn Rock can hear the faint SOUNDS AND VOICES from the other universes. But it fades away. They watch as the shadows get long in the setting sun.

EVELYN ROCK

Joy, I'm sorry about ruining everything, I-

JOBU ROCK

Shhhh. You don't have to worry about that here. Just be a rock.

A beat.

EVELYN ROCK

I just feel so stupid-

JOBU ROCK

God! Please. We're all stupid.
Small stupid little humans. It's
like our whole deal.

(softens)

For most of our history we knew the
earth was the center of the
universe. We killed and tortured
people for saying otherwise.

The sun sets revealing a dense sky of stars.

JOBU ROCK(CONT'D)

And then we find out that the Earth is
revolving around the Sun, which is just
one sun out of a trillion suns, and now
look at us: trying to deal with the fact
that all of that exists in one universe out
of who knows how many. Every new
discovery, is just a reminder-

EVELYN ROCK

We're all small and stupid.

JOBU ROCK

Who knows what great new discovery is
coming next to make us feel like even
smaller pieces of shit.

EVELYN ROCK

Language.

JOBU ROCK

Seriously?

EVELYN ROCK

I'm joking. That was a joke.

(laughing)

A big **fucking** joke.

They both laugh making each other laugh more just because
they are both laughing. Then Jobu stops.

JOBU ROCK

Fuck.

EVELYN ROCK

What's wrong?

JOBU ROCK

I've been trapped like this for so
long. Experiencing everything.

(MORE)

Lyrics

And you may find yourself living in a shotgun shack
And you may find yourself in another part of the world
And you may find yourself behind the wheel of a large automobile
And you may find yourself in a beautiful house, with a beautiful wife
And you may ask yourself, "Well, how did I get here?"

Letting the days go by, let the water hold me down
Letting the days go by, water flowing underground
Into the blue again, after the money's gone
Once in a lifetime, water flowing underground

And you may ask yourself, "How do I work this?"
And you may ask yourself, "Where is that large automobile?"
And you may tell yourself, "This is not my beautiful house"
And you may tell yourself, "This is not my beautiful wife"

Letting the days go by, let the water hold me down
Letting the days go by, water flowing underground
Into the blue again, after the money's gone
Once in a lifetime, water flowing underground

Same as it ever was, same as it ever was
Same as it ever was, same as it ever was
Same as it ever was, same as it ever was
Same as it ever was, same as it ever was

Water dissolving and water removing
There is water at the bottom of the ocean
Under the water, carry the water
Remove the water from the bottom of the ocean
Water dissolving and water removing

Letting the days go by, let the water hold me down
Letting the days go by, water flowing underground
Into the blue again, into the silent water
Under the rocks and stones, there is water underground

Letting the days go by, let the water hold me down
Letting the days go by, water flowing underground
Into the blue again, after the money's gone
Once in a lifetime, water flowing underground

You may ask yourself, "What is that beautiful house?"
You may ask yourself, "Where does that highway go to?"
And you may ask yourself, "Am I right, am I wrong?"
And you may say to yourself, "My God, what have I done?"

Letting the days go by, let the water hold me down
Letting the days go by, water flowing underground
Into the blue again, into the silent water
Under the rocks and stones, there is water underground

Letting the days go by, let the water hold me down
Letting the days go by, water flowing underground
Into the blue again, after the money's gone
Once in a lifetime, water flowing underground

Same as it ever was, same as it ever was
Same as it ever was, look where my hand was
Time isn't holding up, time isn't after us
Same as it ever was, same as it ever was
Same as it ever was, same as it ever was
Same as it ever was, same as it ever was (I couldn't get no rest)
Same as it ever was, hey let's all twist our thumbs
Here comes the twister

Letting the days go by (same as it ever was, same as it ever was)
Letting the days go by (same as it ever was, same as it ever was)
Once in a lifetime, let the water hold me down
Letting the days go by, water flowing underground

